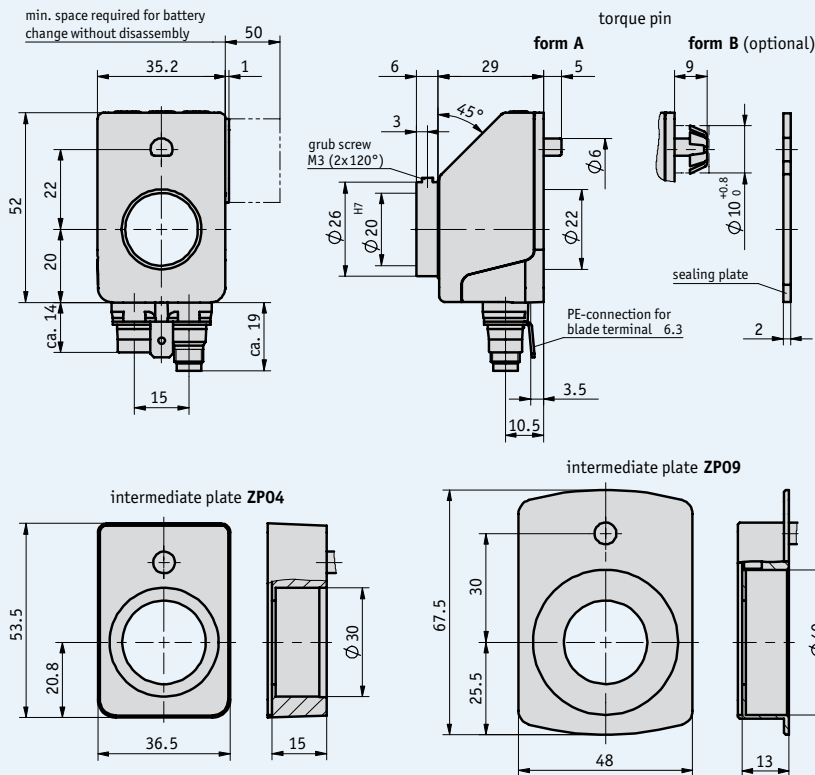


Profile

- Electronic position indicator with bus interface
- Compact design
- Hollow shaft, max. \varnothing 20 mm
- Easily readable, two-line LCD for target and actual values
- Reset, incremental measurement, offset via keyboard
- Integrated RS485 interface, CAN bus as an option
- Robust sensor technology unit thanks to magnetic scanning
- User guidance via bicolor LED



Mechanical data

Feature	Technical data	Additional information
Max. speed	≤500 rpm	
Operating temperature range	0 ... 60 °C	
Storage temperature range	-20 ... +80 °C	
Protection category	IP53	in the mounted state, standard version
Housing	plastic reinforced	metal connector thread
Driving shaft	stainless steel	
Housing color	black, RAL 9005	

Electrical data

Feature	Technical data	Additional information
Operating voltage	24 V DC ±20 %	
Current consumption	approx. 30 mA	
Battery life	approx. 5 years	
Type of connection	2x M8 connector	4-pin, 1x bush, 1x connector, additionally screen connection via flat-cable plug 6.3 mm
Bus connection	CAN bus or RS485	no galvanic isolation
Display	LCD display	7-segment + decimal points; 2 lines of 5 digits each, special characters
Special characters	left arrow, right arrow, increm. measurem. replace battery	
Display size	approx. 7 mm digit height	
Signal indicator	bicolor LED (red/green)	
Keys	incremental measurement function, parameterization , reset	
Scanning	magnetic	
Resolution	720 increments/revolution	
Display resolution	freely parameterizable between 1 and 65535 increments/revolution	
Coded number of revolutions	max. 7281	

Pin assignment

■ Interfaces

RS485	CAN bus	PIN
TxRx-/DÜB	CANL	1
TxRx+/DÜA	CANH	2
+24 V DC	+24 V DC	3
GND	GND	4

1.2

Order

■ Order table

Feature	Order text	Specification	Additional information
Interface/protocol	S3/00	RS485/standard	
	CAN	CANopen	
Hollow shaft/diameter (mm)	20	Ø 20 mm	
	...	RH10, RH12, RH14, RH16	reducing bushes
		others on request	
Intermediate plate	OZP	without	
	ZP04	intermediate plate	
	ZP09	adapter plate	

■ Order code



Scope of delivery: AP04, User information

Accessories:

Reducing bushes	Page 108
Mating connectors	Page 104
Cable extension	Page 105
Battery unit	Page 106

Additional information:

General information and areas of application Page 30 cont.